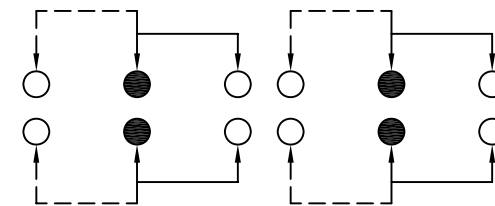
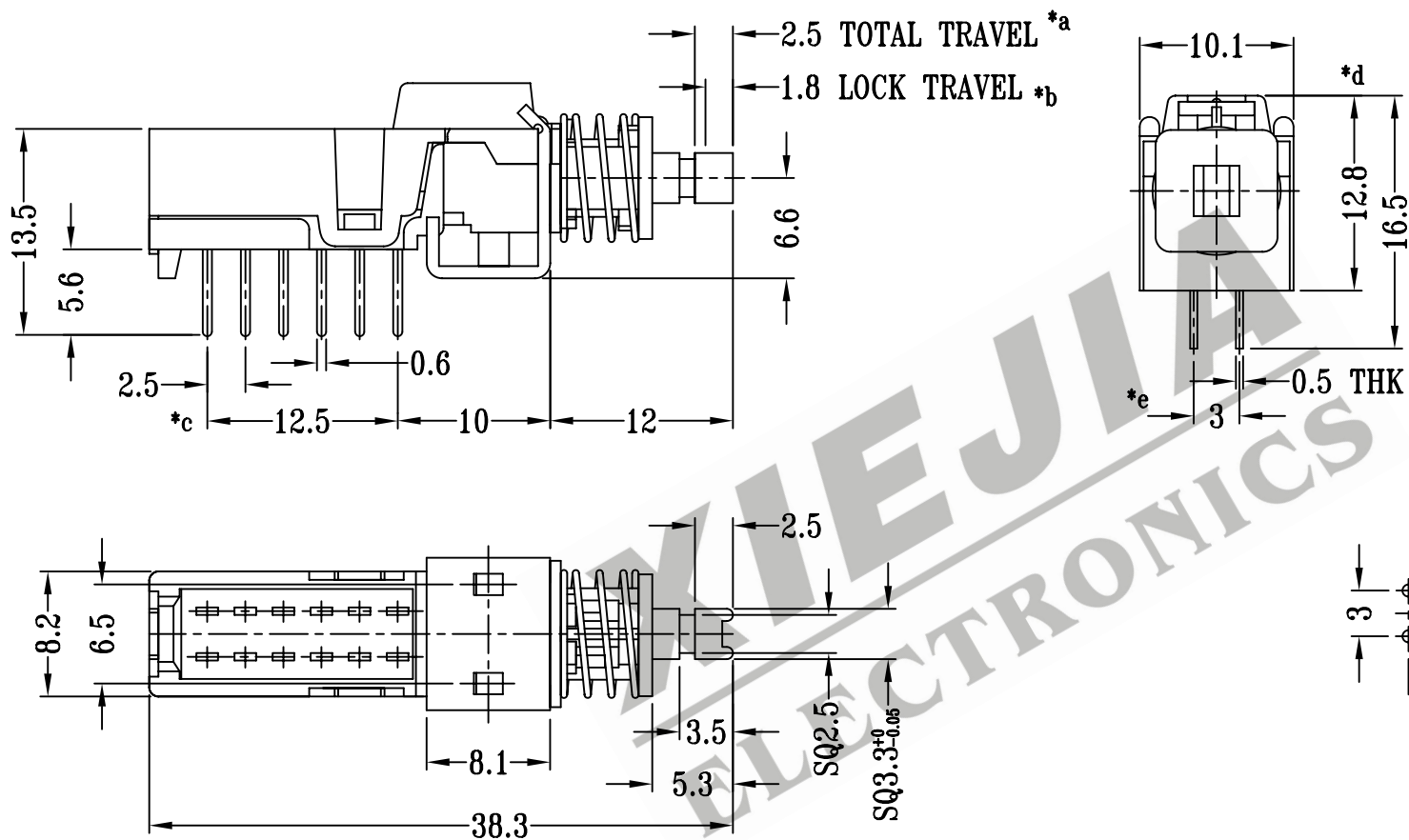
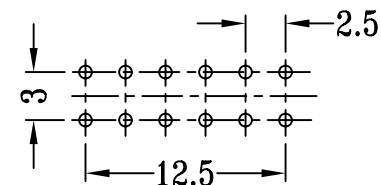


CAD FILE:



SCHEMATIC (NON-SHORTING)



P.C.B LAYOUT

注:带"*"表示关键尺寸(5个)

NO.	PART NAME	MATERIAL	Q'TY	FINISHING	TOLERANCE UNLESS SPECIFIED		SHENZHEN XIEJIA ELECTRONICS CO.,LTD.			
9	CONTACT CLIP	PBS	4	Ag CLAD	WITHIN: 1.5±0.1mm OVER : 1.5±0.2mm	ISSUE	DATE	DESCRIPTIONS		APPD.
8	CAM STICK	STAINLESS STEEL	1	NATURAL				TITLE : PLASTIC PUSH SWITCH		
7	SPRING PLATE	PBS STRIP	1	NATURAL	MODEL: PBS-42E01	SCALE: 2:1	DWN.	ZHOUYU	2004-6-10	
6	KNOB	POM	1	WHITE			CHK'D	FANGYING	2004-6-10	
5	SPRING	STAINLESS STEEL	1	NATURAL			APPD.	KANGXINAN	2004-6-10	
4	CASE	PC	1	MILKY	ALL MATERIALS MUST BE COMPLIANT TO ROHS					
3	FRAME	STEEL STRIP	1	Ni PLATED						
2	HOUSING	ABS	1	BLUE						
1	TERMINAL	BRASS STRIP	12	Ag PLATED OVER Ni PLATED						